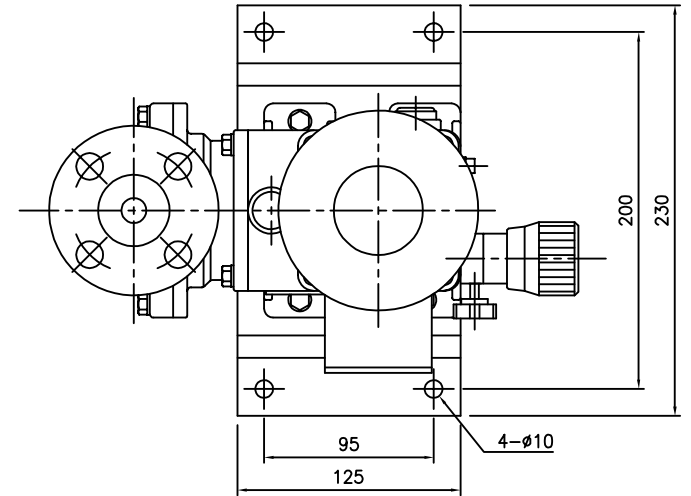
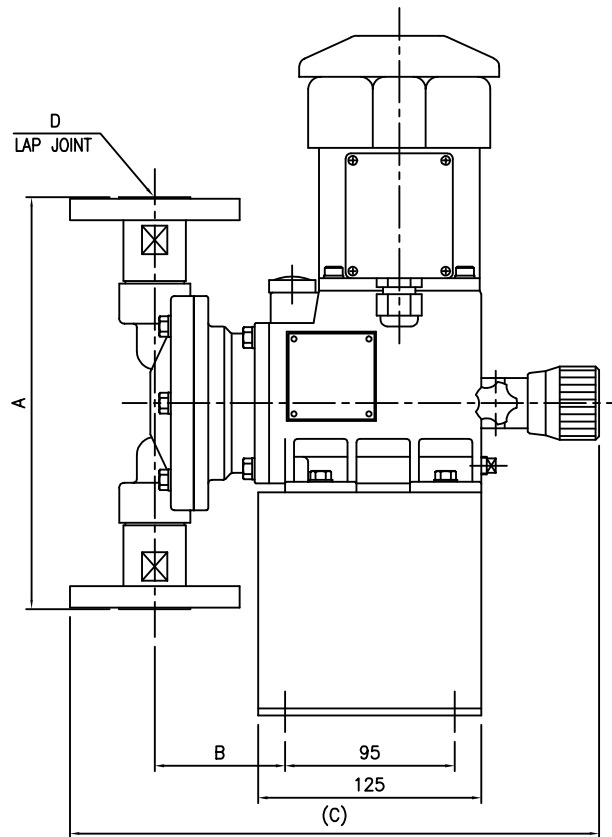
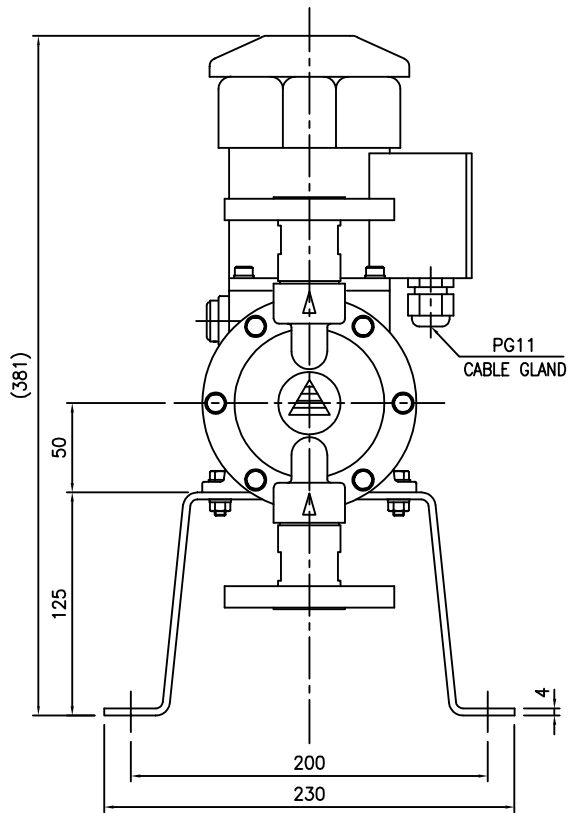


DIMENSIONS (mm)					
PUMP MODEL	A	B	C	D	WEIGHT(kg)
KM-212-P□□	241	74	298	KS10K 15A RF	9.9
KM-212-F□□					10.0

PUMP SPECIFICATIONS (50Hz/60Hz)	
PUMP MODEL	KM-212
MAX.CAPACITY (ml/min)	1792 / 2150
MAX.DIS.PRESSURE (bar)	3
STROKE PER MINUTE (SPM)	95 / 114
ROTATION (MOTOR FAN)	CLOCKWISE
POWER (W)	60

ITEM NO	NO.	DESCRIPTION	SIZE	MAT'L	Q'TY	REMARK
	MAT'L	MAT'L DIM	WEIGHT	SCALE N/S(0.32)		
	FILE NAME	GOSPF-03	専務 TITLE	OUTLINE DRAWING		
	APPROVED		KM-212 PUMP (FLANGE TYPE)			
	CHECKED					
	DESIGNED		専務 DWG NO	G41103		
	DRAWN					
STORAGE NO.			<b>천세산업 주식회사</b> CHEON SEI IND. CO.,LTD.			
ORG.DWG						



DIMENSIONS (mm)					
PUMP MODEL	A	B	C	D	WEIGHT(kg)
KM-212-S□□	231	73	297	KS10K 15A RF	11.8
KM-212-6□□					

PUMP SPECIFICATIONS (50Hz/60Hz)	
PUMP MODEL	KM-212
MAX.CAPACITY (ml/min)	1792 / 2150
MAX.DIS.PRESSURE (bar)	3
STROKE PER MINUTE (SPM)	95 / 114
ROTATION (MOTOR FAN)	CLOCKWISE
POWER (W)	60

ITEM NO	NO.	DESCRIPTION	SIZE	MAT'L	Q'TY	REMARK
	MAT'L	MAT'L DIM	WEIGHT	SCALE N/S(0.32)		
	FILE NAME	G0SSF-03	専属 TITLE	OUTLINE DRAWING		
	APPROVED		KM-212 PUMP (FLANGE TYPE)			
	CHECKED					
	DESIGNED		専属 DWG NO	G41303		
	DRAWN					
STORAGE NO.			<b>천세산업 주식회사</b> CHEON SEI IND. CO.,LTD.			
ORG.DWG						